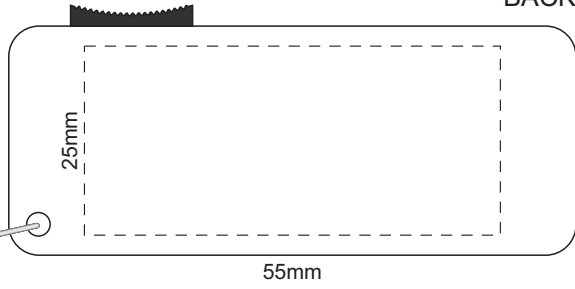
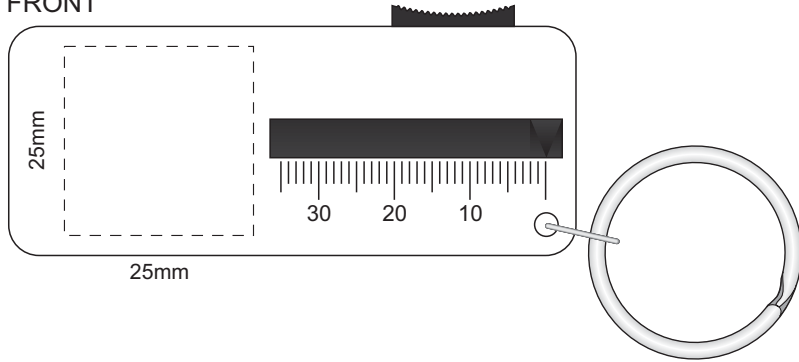


100% of Actual Size
Pad Print

BACK

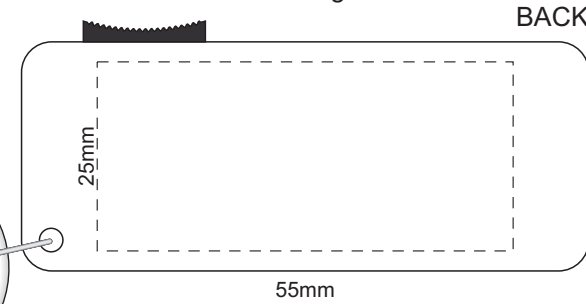


FRONT

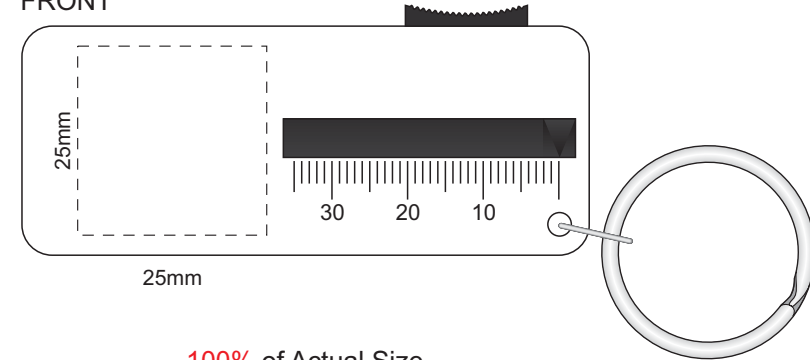


100% of Actual Size
Direct Digital

BACK

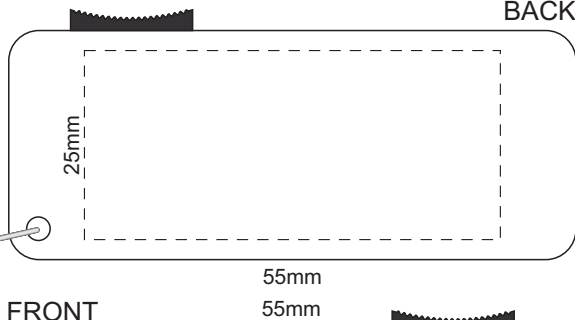


FRONT

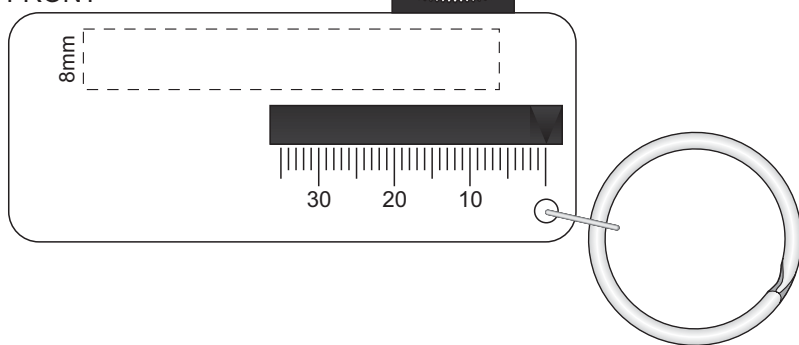


100% of Actual Size
Pad Print

BACK

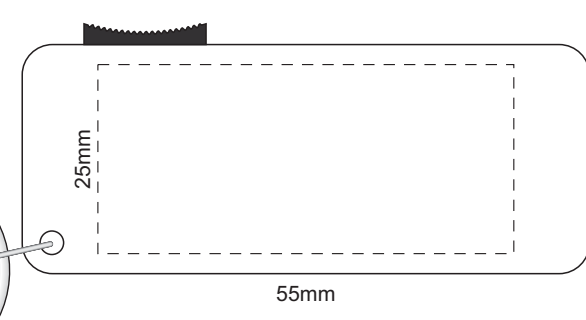


FRONT



100% of Actual Size
Direct Digital

Direct Digital



FRONT

